



KAMUJA

DIESEL FORKLIFT A-SF80



Hunan Kamuja Machinery & Equipment Co.,Ltd



A Certificated Company of GB/T 19001-2016
ISO 9001:2015

INTRODUCTION

Inherited the high quality characteristics of KAMUJA series products.

The machine has the advantages of compact and reasonable structure, strong lifting capacity, low failure rate and good maintainability. Widely used in stations, ports, airports, factories, warehouses and other occasions, is mechanized loading and unloading and short-distance transportation of efficient equipment.

FEATURES

① ENGINE SYSTEM

The engine works stably and reliably, with low fuel consumption and strong power.

② HYDRAULIC SYSTEM

The dual pump design allows separate operation of the power steering and lifting units, and the hydraulic joint designed specifically for KAMUJA provides high reliability and effectively reduces the oil leakage rate. Full hydraulic load free induction steering system, easy to operate; It can ensure that the speed of goods is increased under idle conditions, so that the vehicle is more stable and reliable.

③ TRANSMISSION SYSTEM

Adopt the domestic first-class manufacturer's gearbox, transmission power is strong.

④ ELECTRICAL SYSTEM

Using the latest technology of wiring harness and waterproof plug-in, multi-channel fuse layout, safe and reliable.

⑤ CAB & CONSOLE

The cabin is spacious with premium seats for a comfortable driving experience, and the configuration's edge design can be seen from the driver's seat for optimal visibility when reversing to determine the distance.

⑥ DOOR FRAME TYPE IS AVAILABLE

Wide field of view/Level 2 Full freedom/Level 3 Full freedom

⑦ ACCESSORIES ARE OPTIONAL FOR THE JOB

Side shifter/pitch fork/roll clip/soft clip, etc

HUNAN KAMUJA MACHINERY & EQUIPMENT CO.,LTD.

Room 818, 4th Floor, Chang Tong Logistic Center, No.18 Qingzhuhu Road, Changsha, Hunan, China



Tel: +86 0731 88677248 alvaro.jin@kamuja.cn www.kamuja.cn

Certificated Company of GB/T 19001-2016/ISO 9001:2015

⑧ APPLICABLE CONDITIONS/ENVIRONMENT

Widely used in stations, ports, airports, factories, warehouses and other occasions, is mechanized loading and unloading and short-distance transportation of efficient equipment

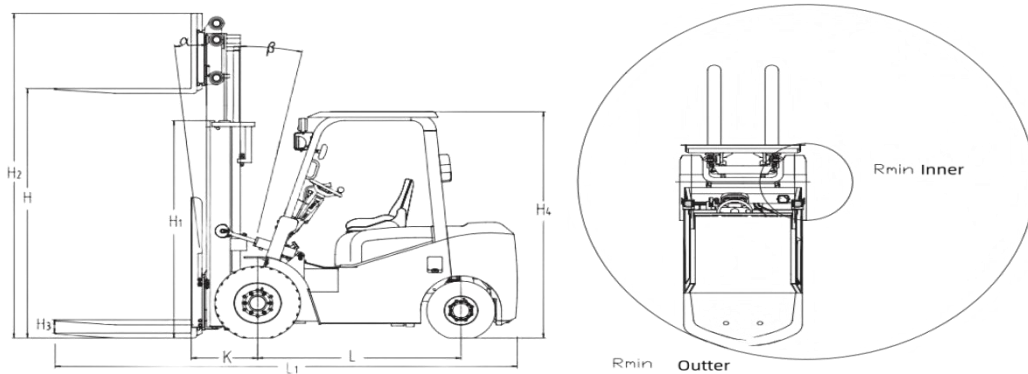
⑨ FUEL CONSUMPTION/GREEN ENVIRONMENTAL PERFORMANCE INTRODUCTION

The vehicle has been optimized to the maximum extent, improving the operation efficiency, effectively reducing fuel consumption, energy saving and environmental protection.

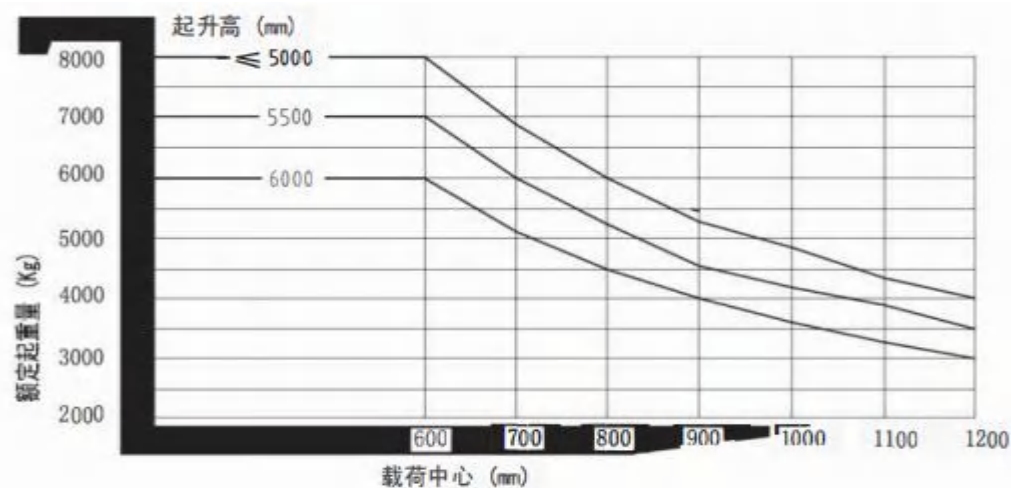
⑩ REPAIR AND EASE REPAIR

Special maintenance space is reserved for the car body, making subsequent maintenance more convenient. KAMUJA's perfect service network, timely and thoughtful service, is your peace of mind to use the equipment intimate guarantee

OVERALL



CAPACITY CHART



HUNAN KAMUJA MACHINERY & EQUIPMENT CO.,LTD.

Room 818, 4th Floor, Chang Tong Logistic Center, No.18 Qingzhuhu Road, Changsha, Hunan, China



Tel: +86 0731 88677248 alvaro.jin@kamuja.cn www.kamuja.cn

Certificated Company of GB/T 19001-2016/ISO 9001:2015

OPTIONAL ATTACHMENTS



Multi-functional soft bag clip



Brick clamp



Roll clip



String rod



Trash clip



Push-puller



Side shifter



Carton holder

Standard Configuration (Inclusions)

- Alight and alight protection pedals
- Type air cleaner
- Hydraulic oil scale
- Traction device
- Raise the oil speed limit valve
- Full hydraulic power steering
- Second class extra wide view frame
- Standard fork
- Raise and tilt the joystick
- Steering wheel can be adjusted
- Car handle
- Roof guard and rain shield
- Rearview mirror
- Fuel gauge
- Preheating prompt
- Engine oil pressure alarm
- Neutral safety switch (hydraulic drive)
- Standard roof guard
- Transmission oil scale (Hydraulic transmission)
- High performance tyre
- High air intake device
- Hydraulic oil suction filter element
- Tilt oil circuit self-locking valve
- Cable parking brake
- Front combination lamp
- Electric horn
- Overhead headlights
- The reverse buzzer
- Class II (III) cargo fork rack
- Stopwatch
- Hood gas spring
- Rear combination lamp
- Charging tips
- Oil cooler (Hydraulic drive)
- Car tool kit
- Water thermometer
- Standard seat
- Two disc multiway valve
- Large rubber pedal pad
- Standard rack
- Load relief valve

HUNAN KAMUJA MACHINERY & EQUIPMENT CO.,LTD.

Room 818, 4th Floor, Chang Tong Logistic Center, No.18 Qingzhuhu Road, Changsha, Hunan, China

Tel: +86 0731 88677248 alvaro.jin@kamuja.cn www.kamuja.cn



Certificated Company of GB/T 19001-2016/ISO 9001:2015

Select devices and accessories

Tilt cylinder jacket	Middle exhaust device
Dual drive wheel	Exhaust fire protection
Cab	Suspension seat
Overhead exhaust device	Weighing system
User specified color	Auxiliary hydraulic valve assembly
Cab heater	Extinguisher
Rear working light	Copper water tank
Alarm lamp	LED rear light
Solid tyre	Double air filter

Optional fittings

Roll clip	Side yoke
Rotate the flat clamp	Swivel fork
Load stabilizer	Fork extension cover
Multi-purpose bucket clamp	Load ejector
Soft clip	Carton clip
Can clip	Position ejector
Miter clamp	Bucket
Boom	Lifting hook
String rod	Extended fork

Special Equipment for Mast

Secondary wide view full free gantry
 Three wide field of view full free gantry
 Special fork

※ The technical information may vary by the update policy, the changes will be without prior notice.

HUNAN KAMUJA MACHINERY & EQUIPMENT CO.,LTD.

Room 818, 4th Floor, Chang Tong Logistic Center, No.18 Qingzhuhu Road, Changsha, Hunan, China



Tel: +86 0731 88677248 alvaro.jin@kamuja.cn www.kamuja.cn

Certificated Company of GB/T 19001-2016/ISO 9001:2015

SPECIFICATIONS

General	Model		A-SF80	Unit		
	Load capacity		8000	kg		
	Load center		500	m m		
	Power type		Diesel			
Dimensions	Lift height	H	3000	m m		
	Free lifting height	H3	182	m m		
	Fork Distance (Out side)		300/1756	m m		
	Mast tilt angle	α/β	8/10	deg		
	Fort overhang	K	640	m m		
	Overall dimensions	Length to face of fork		L1	4860	m m
		Overall width			2045	m m
		Overall height fork lowered		H1	2500	m m
		Overall height fork raised		H2	4420	m m
		Overall guard height		H4	2500	m m
	Turning radius			3330	m m	
Min.right angle aisle width			3580	m m		
Performance	Travel speed (Full/No load)	Walking speed		25	km/h	
		Lifting speed		450/530	km/h	
	Max.gradeability (Full/No load)		20/15	%		
	Self weight		10200	kg		
Chassis	Tires	Front		8.25-15-14PR		
		Rear		8.25-15-14PR		
	Tire diatance	Front		1520	m m	
		Rear		1700	m m	
	Wheelbase		2250	m m		
Ground clearance	Rack		200	m m		
Drive units & control	Engine	Model		ISUZU6BG1		
		Rated output		82.4/2000	km/ rpm	
		Rated torque		416.8/1500	N.m/rpm	
		No.of cylinder		6		
		Bore×stroke		105×125	m m	
		Displacement		5.785	L	
	Torque Converter of transmission box	Type		Hydraulic		
		Shift	Front and back	2/2		
Working pressure		20	Mpa			

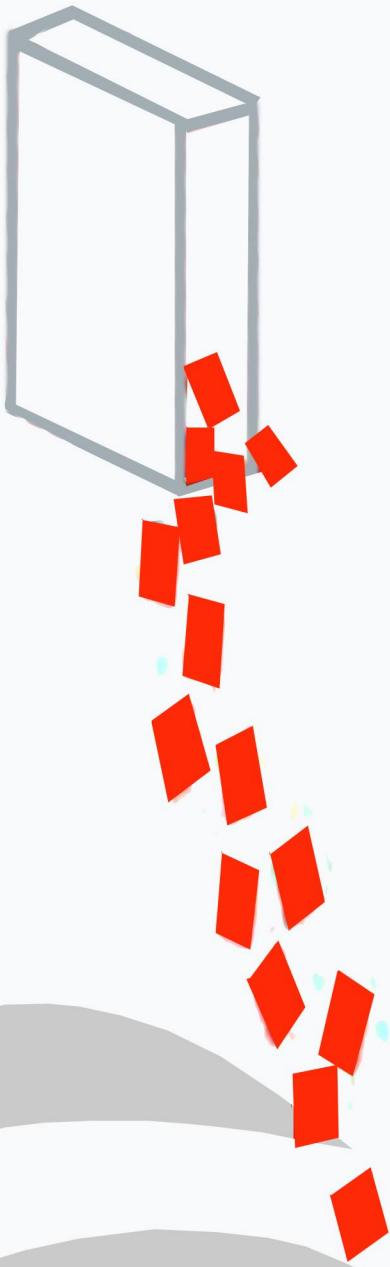
HUNAN KAMUJA MACHINERY & EQUIPMENT CO.,LTD.

Room 818, 4th Floor, Chang Tong Logistic Center, No.18 Qingzhuhu Road, Changsha, Hunan, China



Tel: +86 0731 88677248 alvaro.jin@kamuja.cn www.kamuja.cn

Certificated Company of GB/T 19001-2016/ISO 9001:2015



Hunan Kamuja Machinery & Equipment Co.,Ltd

Address: Qingzhu Hu Road N.18, Chang Tong Logistic Center Floor 4 Room 818,
Jinxia Economic Development Zone, Changsha City, Hunan Province, P.R of China.

333 SE 2nd Avenue Suit 2000 Miami FL 33131. USA

Tel: +86 731 8867 7248 e-mail: info@kamuja.cn

Web site: www.kamuja.cn



A Certificated Company of GB/T 19001-2016/
ISO 9001:2015